

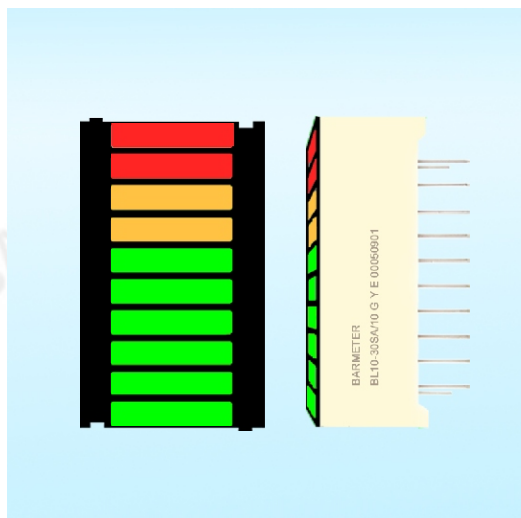
BL Series of LED Bargraph Indicator Device

BL10-2712SDA10 BL10-2712SDK10

10 Segments 26.6 mm LED Indicator

BL

S



Description

The BL series of LED Bargraph display, using high brightness LED chips and semiconductor encapsulations processing technology, is the ideal display device to replace moving coil indicators. Widely used in electronic display meters and instruments. The feature is as follows.

Features

- The use of sub-block scattering techniques, wide angle of view
- Clearly display, uniform brightness
- Antimagnetic, aseismatic, impact resistance
- High reliability, maximum mean life

Absolute Maximum Rating ($T_A=25^\circ\text{C}$)

	Symbol	Min.	Typ.	Max.	Units
Peak forward current	I_F	30	80	100	mA
Reverse voltage	V_R		5		V
Power dissipation	P_W		0.2 (F.S.)	0.3	W
Operating temperature range	T_J	-25		70	$^\circ\text{C}$
Storage temperature range	T_{Stg}	-40		85	$^\circ\text{C}$
Soldering time at 260°C			3 sec		

Electro-optical Characteristics ($T_A=25^\circ\text{C}$)

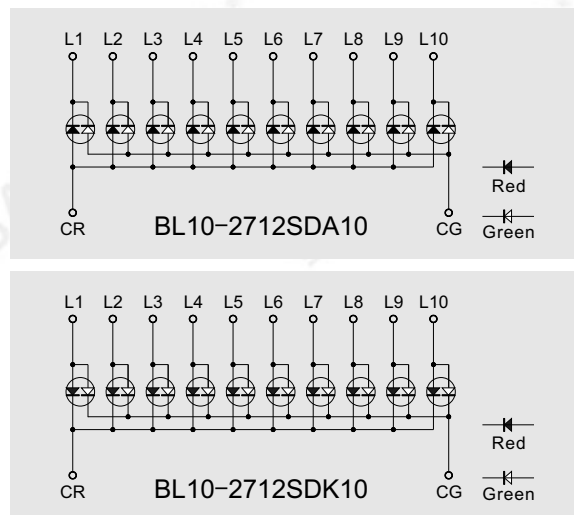
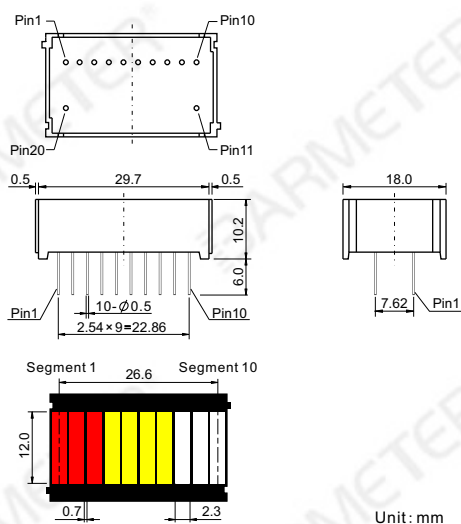
	Symbol	Red (E100)	Emerald (N200)	Test condition
Peak wavelength	λ_P	625nm	510nm	$I_F=20\text{mA}$
Segment brightness	I_V	100mcd	200mcd	$I_F=20\text{mA}$
Forward voltage	V_F	2.0V	3.2V	$I_F=20\text{mA}$

[Http://www.barmeter.com](http://www.barmeter.com)

[Http://www.barmeter.com](http://www.barmeter.com)

[Http://www.barmeter.com](http://www.barmeter.com)

Dimension and Circuit



Pin Definition

Pin No.	1	2	3	4	5	6	7	8	9	10	11	12	13	14	15	16	17	18	19	20	
											CG										CR
	L1	L2	L3	L4	L5	L6	L7	L8	L9	L10											